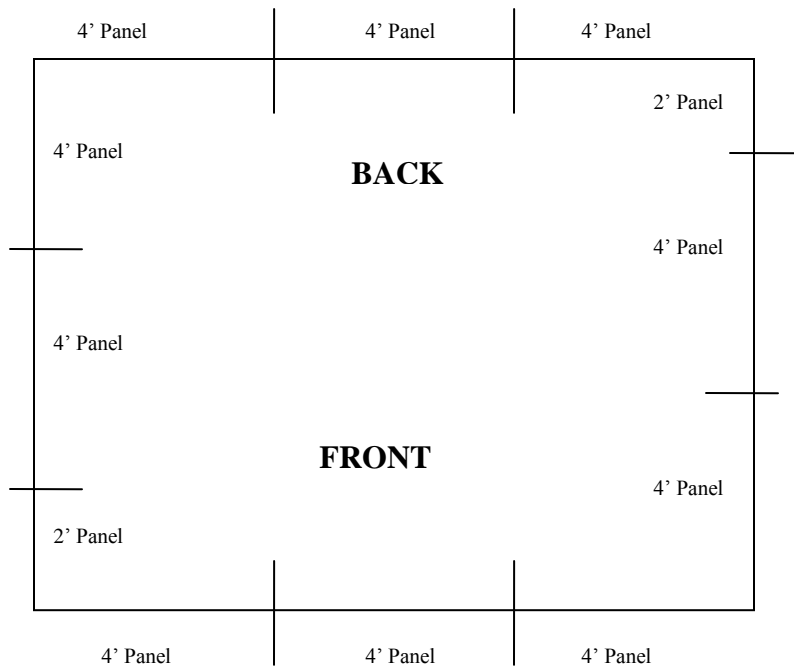
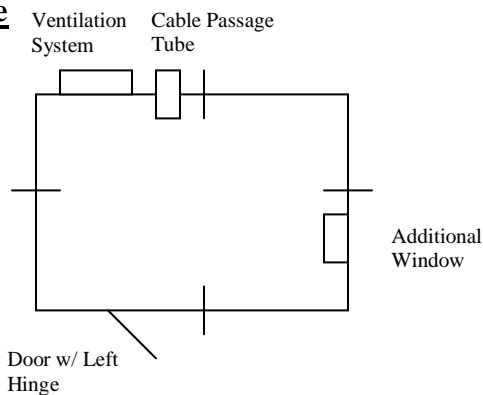


10' X 12' Sound Booth



Example



Please draw on the Diagram where to place the following;

Ventilation System (Dimensions-24" wide X 70" tall X 6" deep)

- 1) Door Location and Orientation (right of left hinged) Door Size-27" X 75"
- 2) Cable Passage Tube(s)
- 3) Additional Windows (if applicable)
- 4) Jack Panels (if applicable)

PLEASE FAX BACK TO GRETCH-KEN INDUSTRIES INC. @ 1-541-947-2608